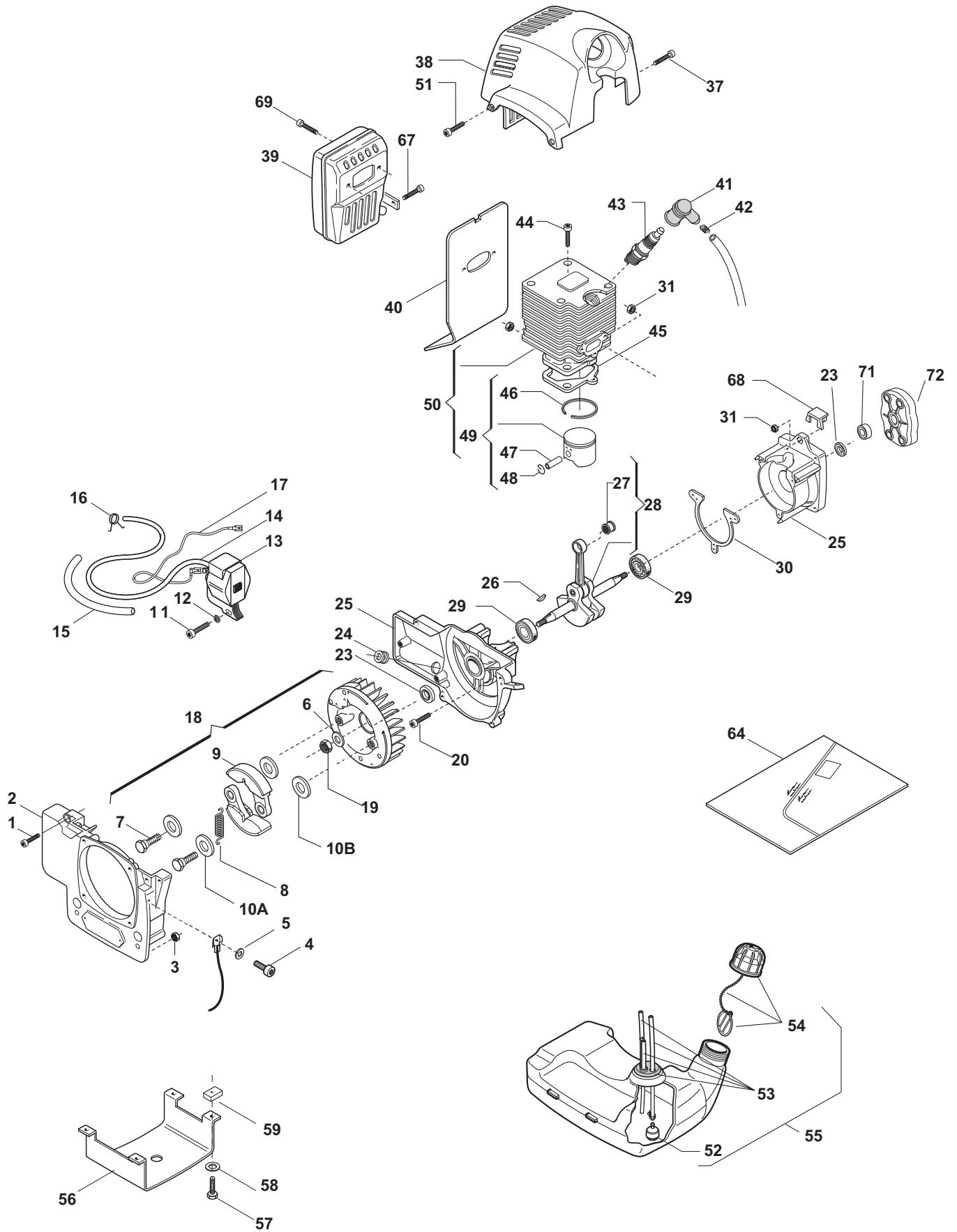


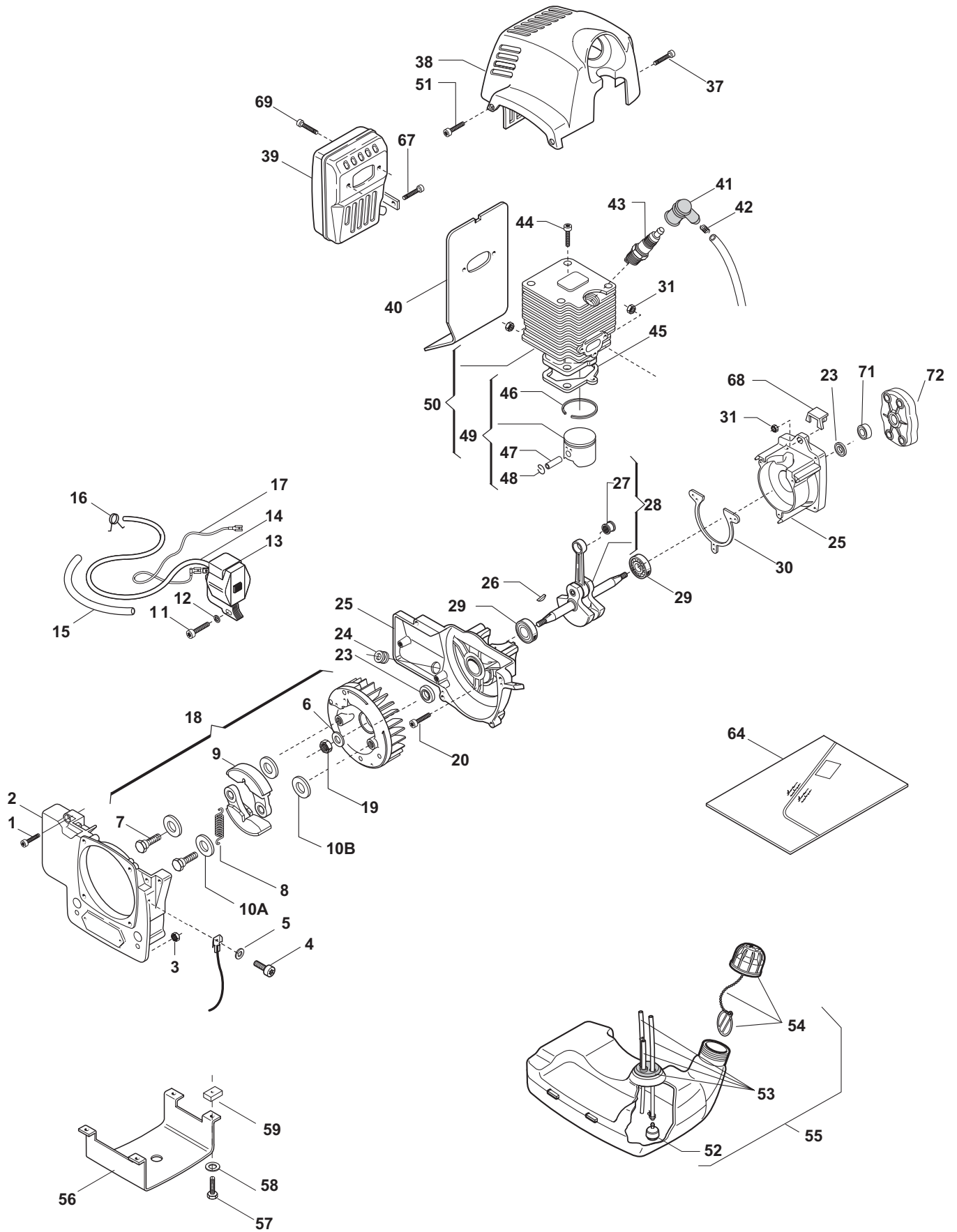
# Genuine Spare Parts

---



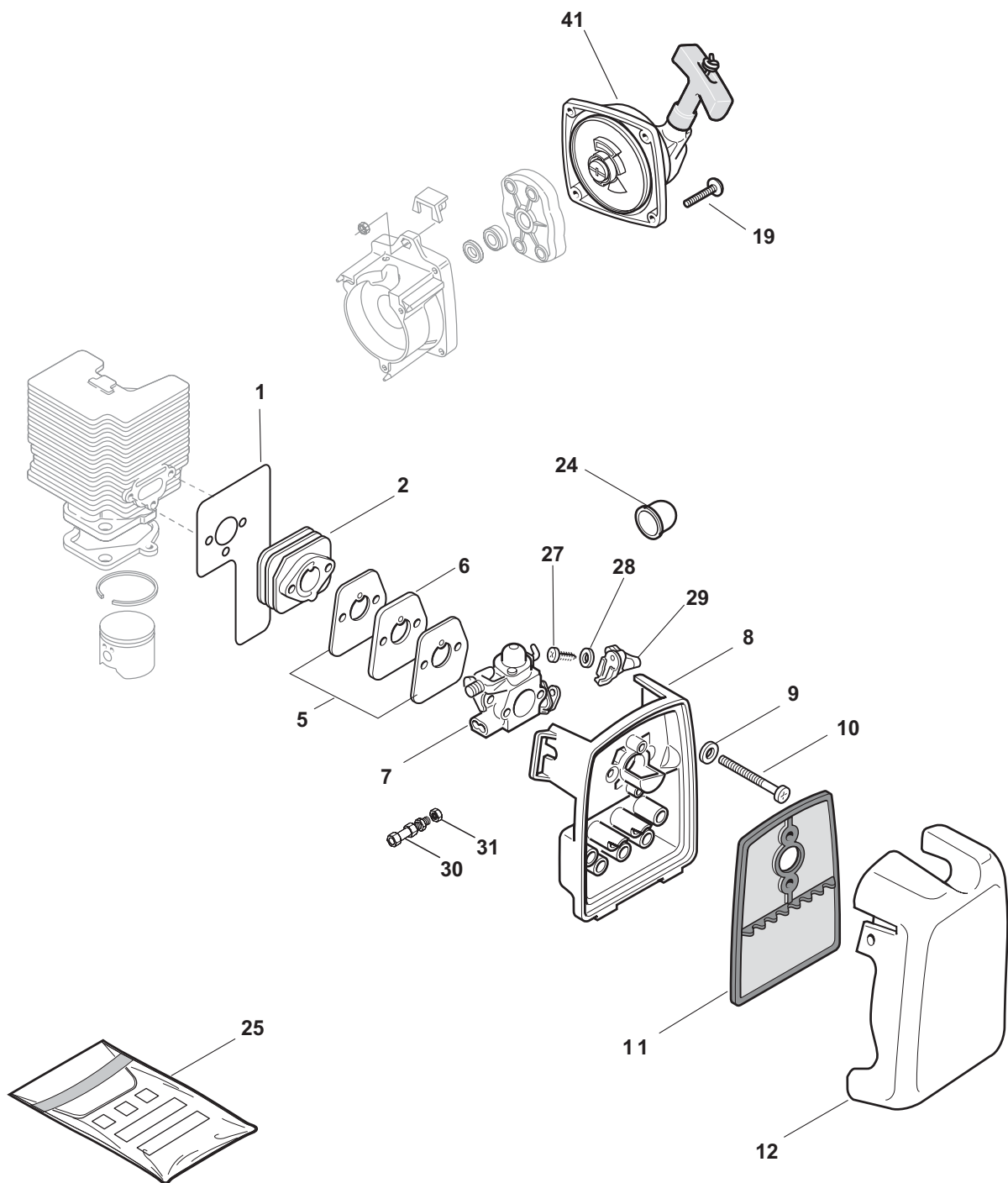


Utgåva Issue		Bildnr Picture No		SB 43P- SB 44P- SB 52P PRO RÖJARE MOTOR		SB 43P- SB 44P- SB 52P PRO BRUSH CUTTER ENGINE		Sida Page	
2008- 12		1288D						320	
Pos. Fig.	Antal/Quantity			Art nr Part No	Benämning	Description	Sats Kit	Anmärkning Notes	
	6113 -12	6115 -12	4630 -14						
1	4	4		23878016/0	Skruv .....	Screw .....			
2	1	1		4540940	Transm.stödhus .....	Transm.support case .....			
3	4	4		2461030	Mutter .....	Nut .....			
4	1	1		2132500	Skruv .....	Screw .....			
5	1	1		2312120	Bricka .....	Washer .....			
6	1	1		2350040	Bricka .....	Washer .....			
7	2	2		2653213	• Skruv .....	• Screw .....			
8	1			3654040	• Fjäder .....	• Spring .....			
8		1		3654220	• Fjäder .....	• Spring .....			
9	2			3660430/1	• Koppling .....	• Clutch unit .....			
9		2		3660500/1	• Koppling .....	• Clutch unit .....			
10A	2	2		23652501/0	• Bricka .....	• Washer .....			
10B	2	2		2321230	• Bricka .....	• Washer .....			
11	2	2		2135060	Skruv .....	Screw .....			
12	2	2		2321150	Bricka .....	Washer .....			
13	1	1		23044001/0	Elektronikspole .....	Electronic coil .....			
14	1	1		3211080	Tändstiftskabel .....	Spark plug cable .....			
15	1	1		3782040	Kabelhölje .....	Wire sheath .....			
16	1	1		3657450	Klämma .....	Clamp .....			
17	1	1		3211415	Jordkabel .....	Earth cable .....			
18	1			8252500/1	Svänghjul kpl .....	Flywheel assy .....		Inkl. pos 7 - 10	
18		1		8252510/1	Svänghjul kpl .....	Flywheel assy .....		Inkl. pos 7 - 10	
19	1	1		2412100	Mutter .....	Nut .....			
20	4	4		2135130	Skruv .....	Screw .....			
23	2	2		3121120	Tätningssring .....	Seal ring .....			
24	1	1		3745130	Hylsa .....	Grommet .....			
25	1	1		8540930	Vevhus .....	Crankcase .....			
26	1	1		3151050	Kil .....	Key .....			
27	1	1		3114190	• Nällager .....	• Needle bearing .....			
28	1	1		8251440	Vevaxel kpl .....	Crankshaft assy .....		Inkl. pos 27	
29	2	2		3112040	Kullager .....	Ball bearing .....			
30	1	1		3724120	Packning .....	Gasket .....			
31	5	5		2432040	Mutter .....	Nut .....			
37	3	3		2135030	Skruv .....	Screw .....			
38	1	1		4563880	Cylinderkäpa- gul .....	Cylinder cover- yellow .....			
39	1	1		4122170/1	Ljuddämpare .....	Muffler .....			
40	1	1		3724380	Packning .....	Gasket .....			
41	1	1		3744850	Tändstiftshatt .....	Spark plug cap .....			
42	1	1		3657530	Tändstiftsfjäder .....	Spark plug spring .....			
43	1	1		9400- 0258- 00	Tändstift .....	Spark plug .....		Champion CJ7Y	
44	4	4		2135060	Skruv .....	Screw .....			
45	1	1		3724130	Packning .....	Gasket .....			
46		1		3123110	•• Kolvring .....	•• Piston ring .....			
46	1			3123200	•• Kolvring .....	•• Piston ring .....			
47	1			3158010	•• Kolvbult .....	•• Piston pin .....			
47		1		3158080	•• Kolvbult .....	•• Piston pin .....			
48	2	2		3356020	•• Låsring .....	•• Circlip .....			
49	1			8540860	• Kolv kpl .....	• Piston assy .....		Inkl. pos 46 - 48	
49		1		8540960	• Kolv kpl .....	• Piston assy .....		Inkl. pos 46 - 48	
50	1			8540890	Cylinder- kolv kpl .....	Cylinder- piston assy .....		Inkl. pos 49	
50		1		8540970/2	Cylinder- kolv kpl .....	Cylinder- piston assy .....		Inkl. pos 49	
51	2	2		2135040	Skruv .....	Screw .....			
52	1	1		4253290	• Bränslefilter .....	• Intake filter .....			
53	1	1		8745542	• Gummitätning .....	• Grommet .....			
54	1	1		8741370	• Tanklock .....	• Fuel tank cap .....			
55	1	1		4252620/1	Bränsletank kpl .....	Fuel tank assy .....		Inkl. pos 52 - 54	
56	1	1		4612237	Fläns .....	Flange .....			
57	4	4		2135030	Skruv .....	Screw .....		TX M5 x 20	
57	4	4		2135040	Skruv .....	Screw .....		TX M5 x 18	
58	4	4		2321150	Bricka .....	Washer .....			
59	4	4		2461030	Mutter .....	Nut .....			
64	1	1		8724380/1	Packningssats .....	Gasket set .....		Inkl. pos 30, 40, 45	
67	1	1		2135180	Skruv .....	Screw .....			



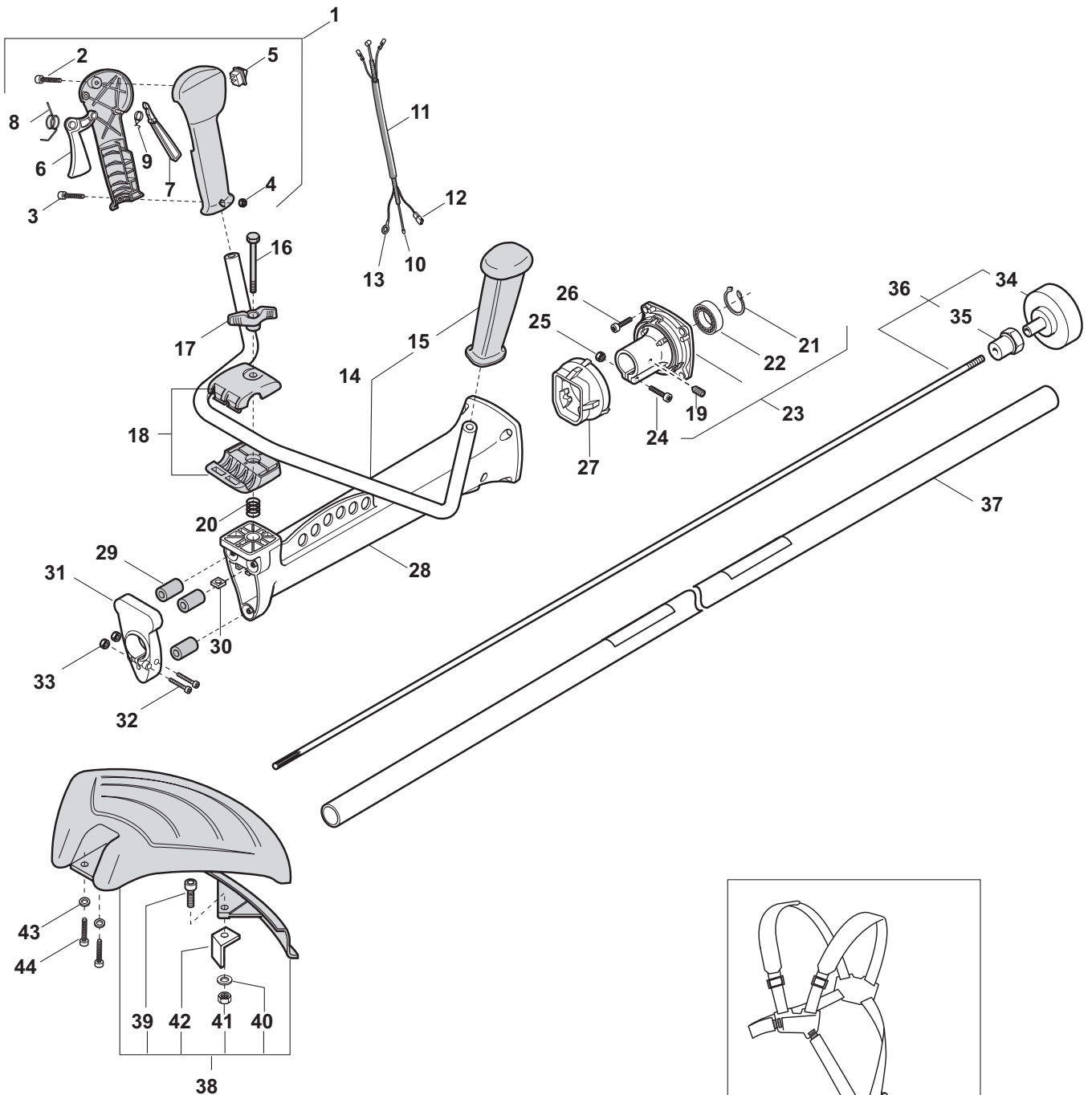


Utgåva Issue		Bildnr Picture No		SB 43P- SB 44P- SB 52P PRO RÖJARE MOTOR		SB 43P- SB 44P- SB 52P PRO BRUSH CUTTER ENGINE		Sida Page	
2008- 12		1288D						322	
Pos. Fig.	Antal/Quantity			Art nr Part No	Benämning	Description	Sats Kit	Anmärkning Notes	
	6113 -12	6115 -12	4630 -14						
68	1	1		3750537	Distans .....	Spacer .....			
69	6	6		2135040	Skruv .....	Screw .....			
71	1	1		23160051/0	Distans .....	Spacer .....			
72	1	1		83082000/0	Startkopp .....	Starter cup .....			



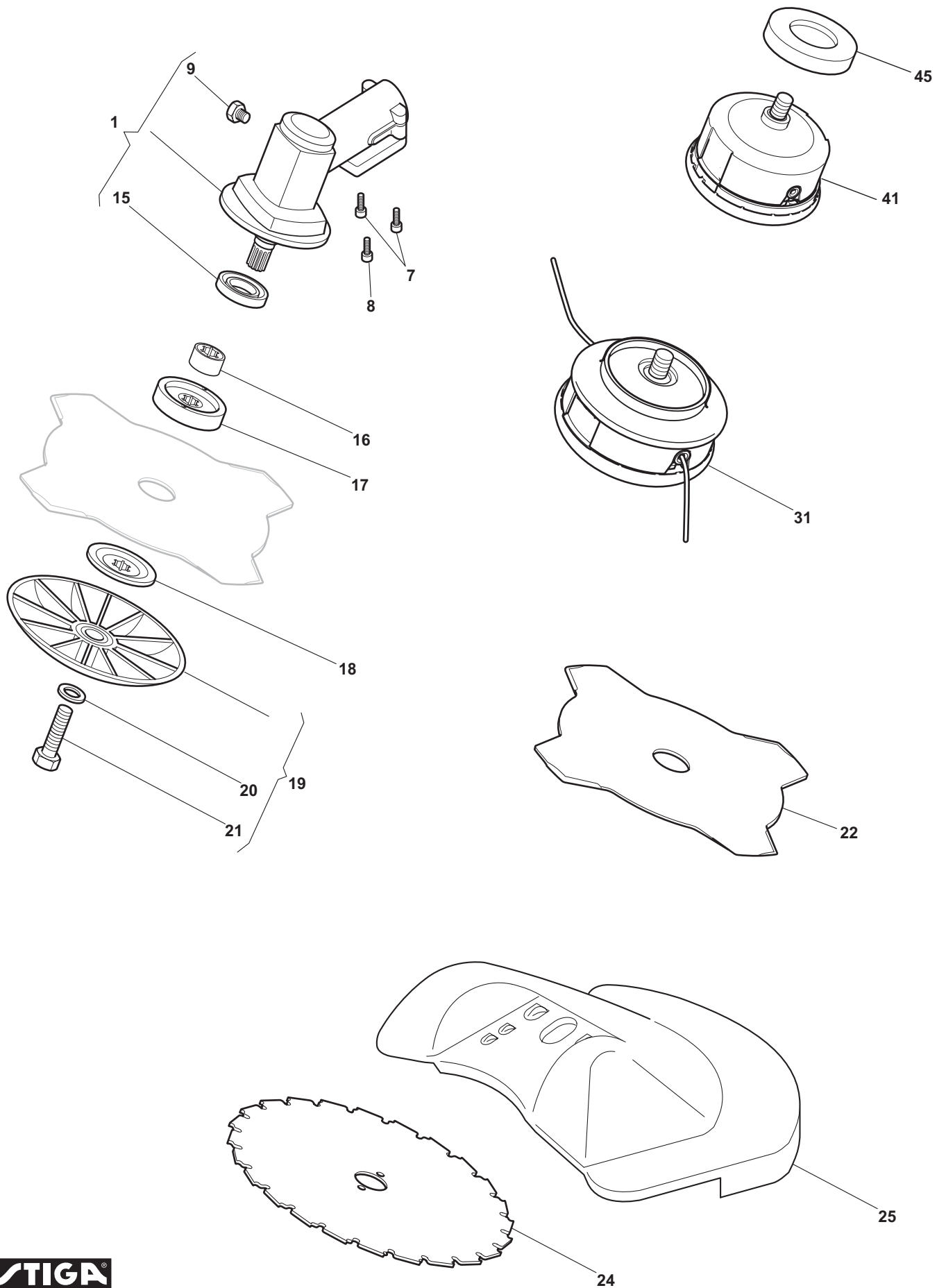
Utgåva Issue		Bildnr Picture No		SB 43P- SB 44P- SB 52P PRO RÖJARE MOTOR		SB 43P- SB 44P- SB 52P PRO BUSH CUTTER ENGINE		Sida Page	
2008- 12		1289D						324	
Pos. Fig.	Antal/Quantity			Art nr Part No	Benämning	Description	Sats Kit	Anmärkning Notes	
	6113 -12	6115 -12	4630 -14						
1	1	1		3724390/2	Packning.....	Gasket.....		Walbro WT 761A	
2	1	1		3749740/1	Insugningsrör.....	Intake manifold.....			
5	2	2		3724160	Packning.....	Gasket.....			
6	1	1		3785050/1	Värmedistans.....	Heat block.....			
7	1	1		23054014/1	Förgasare.....	Carburettor.....			
8	1	1		23781004/0	Luftfilterhållare.....	Air filter holder.....			
9	2	2		2312090	Bricka.....	Washer.....			
10	2	2		2135230	Skruv.....	Screw.....			
11	1	1		3781640	Luftfilter.....	Air filter.....			
12	1	1		23090008/0	Luftfilterkåpa- gul.....	Air filter cover- yell.....			
19	4	4		2135040	Skruv.....	Screw.....			
24	1	1		3744870	Primer.....	Primer.....			
25	1	1		4353150	Membran- packn.sats.....	Diaphragm- gasket set.....			
27	1	1		2123090	Skruv.....	Screw.....			
28	1	1		2312180	Bricka.....	Washer.....			
29	1	1		23315056/0	Chokearm.....	Choke lever.....			
30	1	1		3630600/1	Kabeljustering.....	Wire adjuster.....			
31	1	1		2412090	Mutter.....	Nut.....			
41	1	1		83037000/0	Start kpl.....	Starter assy.....			

X





Utgåva Issue		Bildnr Picture No		SB 44P- SB 52P PRO RÖJARE		SB 44P- SB 52P PRO BRUSH CUTTER		Sida Page	
2008- 12		1284A						316	
Pos. Fig.	Antal/Quantity				Art nr Part No	Benämning	Description	Sats Kit	Anmärkning Notes
	6115 -12	4630 -14							
1	1				8563830	Handtag kpl .....	Handle assy.....		Inkl. pos 2 - 9
2	1				2123030	• Skruv .....	• Screw .....		
3	1				2135050	• Skruv .....	• Screw .....		
4	1				12154330/0	• Mutter .....	• Nut .....		
5	1				3210970	• Brytare .....	• Switch .....		
6	1				3743431/1	• Gasreglage.....	• Throttle lever .....		
7	1				3743441	• Säkerhetsspärr .....	• Safety lever .....		
8	1				3654270/1	• Fjäder .....	• Spring .....		
9	1				3654280/1	• Fjäder .....	• Spring .....		
10	1				23066008/0	Gaswire .....	Throttle cable .....		
11	1				3786220	Kabelhölje.....	Wire sheath.....		
12	1				3211590	Kabel- röd .....	Cable- red.....		
13	1				3211600/1	Jordkabel- svart.....	Earth cable- black.....		
14	1				4252840/1	Styre .....	Handle .....		Inkl. pos 15
15	1				3744860/1	• Handtagsgrepp .....	• Knob .....		
16	1				2112580	Skruv .....	Screw.....		
17	1				3750480	Vingmutter.....	Wing nut .....		
18	1				8521070	Styrinfästning kpl .....	Handgrip support .....		
19	1				2126050	• Skruv .....	• Screw .....		
20	1				3654530	Fjäder .....	Spring .....		
21	1				3353080	• Låsring .....	• Circlip.....		
22	1				3112170	• Kullager .....	• Ball bearing .....		
23	1				8521000/1	Transmissionsnav.....	Transmission hub.....		Inkl. pos 19, 21 - 22
24	1				2135150	Skruv .....	Screw.....		
25	1				2432030	Mutter .....	Nut .....		
26	4				2135160	Skruv .....	Screw.....		
27	1				3744330	Vibrationsdämpare- bak.....	Shock absorber- rear.....		
28	1				4563850/2	Transmissionshus .....	Transmission housing .....		
29	3				3744320	Vibrationsdämpare- fra .....	Shock absorber- front .....		
30	1				3615190	Fästplatta .....	Handle fixing plate .....		
31	1				4563861	Stöd- främre .....	Housing support- front.....		
32	2				2135060	Skruv .....	Screw.....		
33	2				12154330/0	Mutter .....	Nut .....		
34	1				4121861/1	• Kopplingshjul.....	• Clutch drum .....		Inkl. pos 34 - 35
35	1				3642191	• Lagernav .....	• Bearing hub.....		Ø 28 mm
36	1				4251400	Drivaxel kpl.....	Transmission shaft.....		Inkl. pos 39 - 42
37	1				4251724	Drivaxelrör.....	Transmission pipe .....		
38	1				8563570	Stänkskydd kpl .....	Safety cover assy .....		
39	1				2135030	• Skruv .....	• Screw .....		
40	1				2312150	• Bricka .....	• Washer .....		
41	1				2432040	• Mutter.....	• Nut .....		
42	1				3615000	• Kniv .....	• Line cutter .....		
43	2				2312150	Bricka .....	Washer.....		
44	2				2135060	Skruv .....	Screw.....		
45	1				4253440	Sele .....	Harness.....		



Utgåva Issue 2008-12		Bildnr Picture No 1285E		SB 43P- SB 44P SB 52P PRO RÖJARE SNÄCKVÄXEL		SB 43P- SB 44P SB 52P PRO BRUSH CUTTER GEAR CASE		Sida Page 318	
Pos. Fig.	Antal/Quantity			Art nr Part No	Benämning	Description	Sats Kit	Anmärkning Notes	
	6113 -12	6115 -12 4630 -14							
1	1			4252780/1	Snäckväxel kpl.....	Gear case assy.....		Ø 26 mm	
1		1		4252790/1	Snäckväxel kpl.....	Gear case assy.....		Ø 28 mm	
7	2	2		2135050	Skruv.....	Screw.....			
8	1	1		2653090	Skruv.....	Screw.....			
9	1	1		2653460	• Skruv.....	• Screw.....			
15	1	1		3121170	• Tätningsring.....	• Oil seal.....			
16	1	1		3641700/1	Krage.....	Collar.....			
17	1	1		3641640	Ringmutter- övre.....	Ring nut- upper.....			
18	1	1		3612640	Ringmutter- nedre.....	Ring nut- lower.....			
19	1	1		4560610	Stabilisator kpl.....	Stabilizer assy.....		Inkl. pos 20 - 21	
20	1	1		2321230	• Bricka.....	• Washer.....			
21	1	1		2653170	• Skruv.....	• Screw.....			
22	1	1		4611880	Röjklinga.....	Blade.....		4T - Ø 255 mm	
24	1	1		6031180	Sågklinga.....	Saw blade.....		24T - Ø 225 mm	
24	1	1		6031185	Sågklinga.....	Saw blade.....		24T - Ø 255 mm	
25	1	1		8562840	Skyddskåpa.....	Safety cover.....		Sågklinga/saw blade	
31	1	1		4353240/1	Skärhuvud kpl.....	Cutting head assy.....		M8 x 1,25 SX male	
41	1	1		4353000	Skärhuvud kpl Profi.....	Cutting head assy.....		M8 x 1,25 SX male	
45	1	1		3614950	Platta.....	Plate.....			
99	1	1		1911-9008-04	Skärtråd (2.4 mm).....	Cutting line (2.4 mm).....		0.45 kg (90 m)	
99	1	1		1911-9008-08	Skärtråd (2.4 mm).....	Cutting line (2.4 mm).....		15 m	